

Title **Shōtō Schematic - Power**

Size: A4

Number:

Revision:2

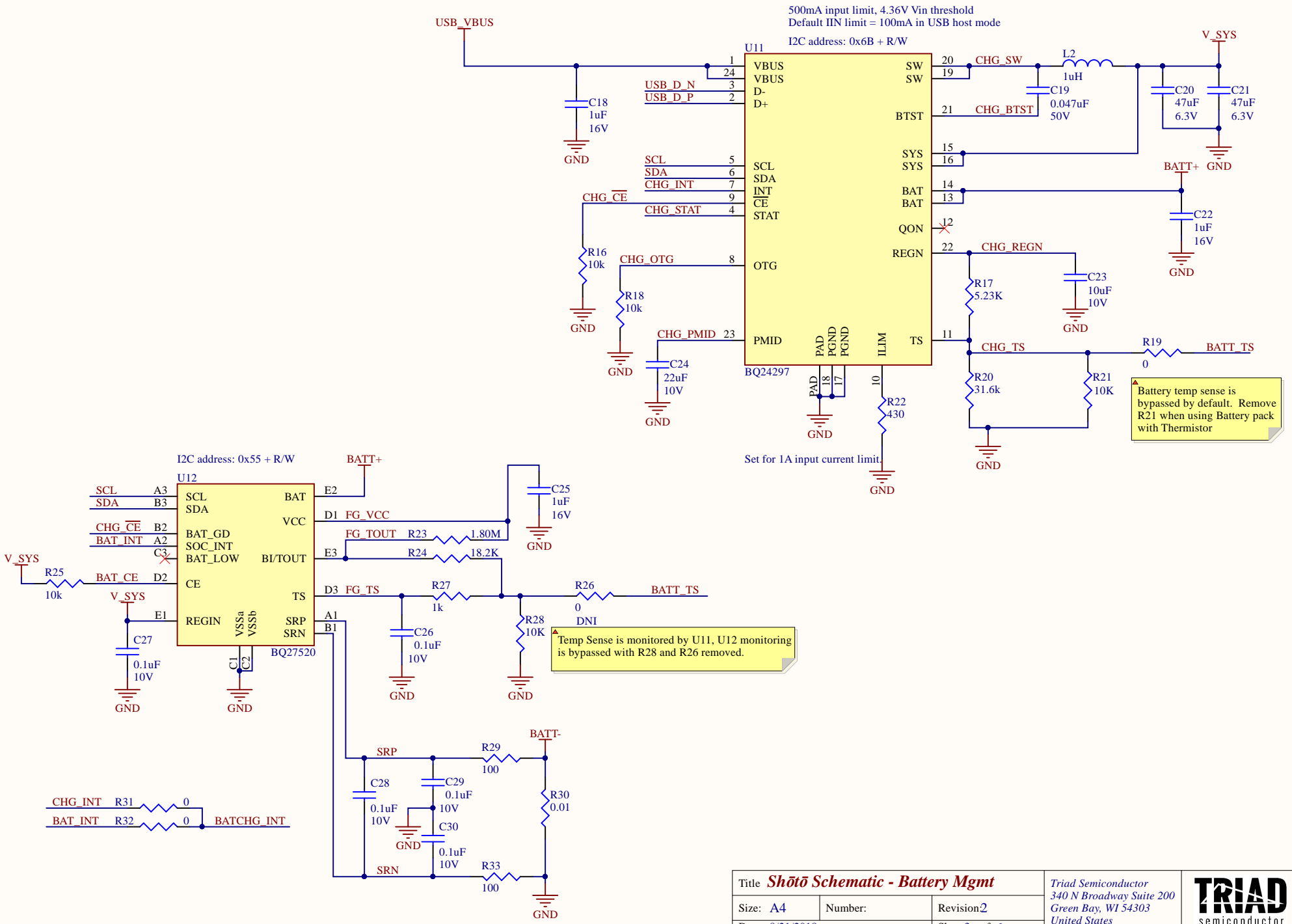
Date: 8/21/2018

Sheet2 of 6

Engineer: Luke Beno

Triad Semiconductor  
 340 N Broadway Suite 200  
 Green Bay, WI 54303  
 United States





**UIA**

<b>BANK 0</b>		
IOT_170	A12	NRF FPGA_GPIO_1
IOT_172	C12	NRF FPGA_GPIO_2
IOT_174	C11	SENSOR_A1
IOT_177	D10	SENSOR_B2
IOT_178	D11	SENSOR_A2
IOT_179	A11	SENSOR_B1
IOT_181	A10	SENSOR_B3
IOT_186	C10	SENSOR_A3
IOT_188	D9	SENSOR_A4
IOT_190	C9	SENSOR_B4
IOT_197_GBIN1	A7	SENSOR_A5
IOT_198_GBIN0	A6	SENSOR_A7
IOT_200	C7	SENSOR_B5
IOT_202	D7	SENSOR_A6
IOT_206	C6	SENSOR_B7
IOT_207	D6	SENSOR_B6
IOT_208	A5	SENSOR_A9
IOT_211	D5	SENSOR_A8
IOT_212	C5	SENSOR_B9
IOT_219	A4	SENSOR_A10
IOT_221	C4	SENSOR_B10
IOT_222	A3	SENSOR_A11
IOT_223	A2	SENSOR_A12
IOT_225	A1	SENSOR_B12

ICE40HX8K-CB132

**UIB**

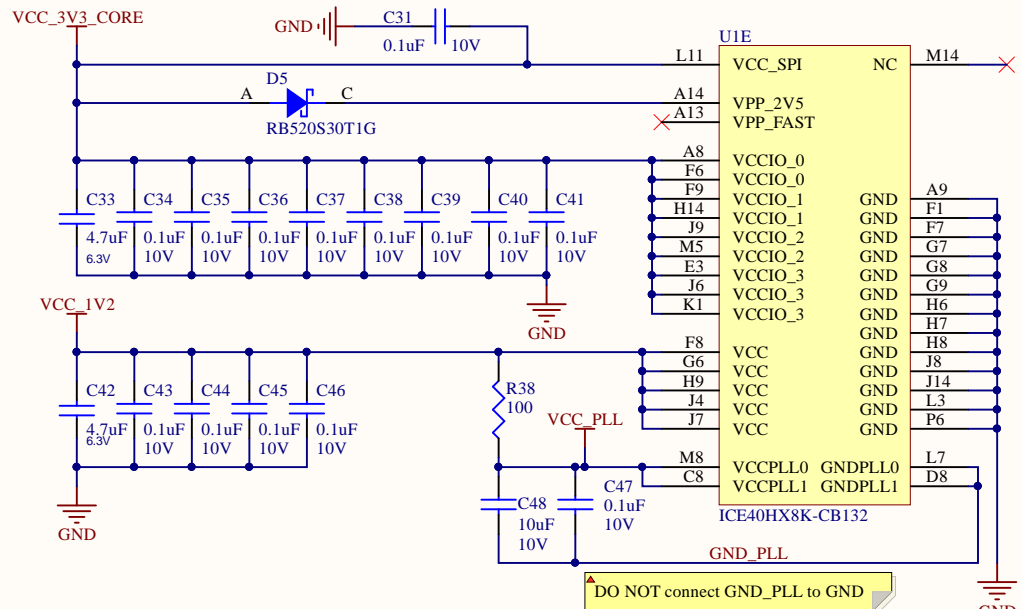
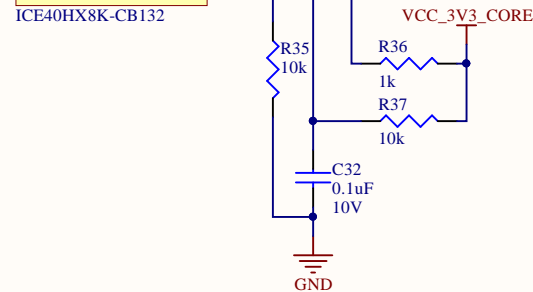
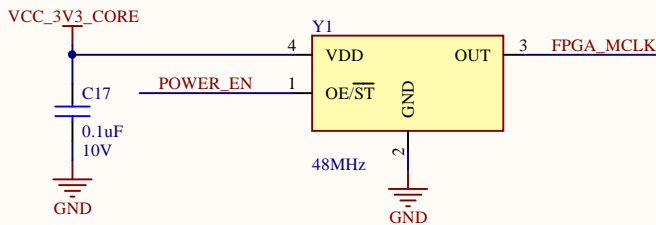
<b>BANK 1</b>		
IOR_109	M12	<del>IMU_INT</del>
IOR_110	L12	SENSOR_A30
IOR_111	N14	FPGA_DATA_RDY
IOR_112	L14	FPGA_MCU_1
IOR_114	K12	SENSOR_B30
IOR_115	K11	<del>FPGA_GPIO_10</del>
IOR_116	K14	<del>FPGA_GPIO_10</del>
IOR_117	J12	SENSOR_A32
IOR_118	J11	<del>SENSOR_B32</del>
IOR_120	H12	SENSOR_VCC_EN4
IOR_128	H11	SENSOR_VCC_EN4
IOR_129	G12	FPGA_GPIO_8
IOR_136	G11	SENSOR_VCC_EN3
IOR_137	F12	FPGA_GPIO_6
IOR_140_GBIN3	F14	FPGA_GPIO_9
IOR_141_GBIN2	G14	FPGA_MCLK
IOR_144	F11	SENSOR_VCC_EN2
IOR_146	E11	SENSOR_VCC_EN1
IOR_147	E12	FPGA_GPIO_4
IOR_148	E14	FPGA_GPIO_7
IOR_152	D14	FPGA_GPIO_5
IOR_154	C14	FPGA_GPIO_3
IOR_160	D12	FPGA_GPIO_2
IOR_161	B14	FPGA_GPIO_1

ICE40HX8K-CB132

**UIC**

<b>BANK 2</b>		
IOB_56	P2	SENSOR_A23
IOB_59	P3	SENSOR_B23
IOB_63	M4	SENSOR_A25
IOB_64	M3	SENSOR_B21
IOB_71	L5	SENSOR_A26
IOB_72	L4	SENSOR_B24
IOB_73	P4	SENSOR_B25
IOB_74	P5	SENSOR_B27
IOB_77	M6	SENSOR_A27
IOB_78	L6	SENSOR_B26
IOB_79	M7	SENSOR_A29
IOB_81_GBIN5	P7	FPGA_MCU_3
IOB_82_GBIN4	P8	FPGA_MCU_2
IOB_87	L8	SENSOR_A28
IOB_89	P9	SENSOR_A31
IOB_91	M9	SENSOR_B29
IOB_103_CBSEL0	L9	SENSOR_B28
IOB_104_CBSEL1	P10	SENSOR_B31
IOB_105_SDO	M11	R34
IOB_106_SDI	P11	FPGA_MISO
IOB_107_SCK	P12	FPGA_MOSI
IOB_108_SS_B	P13	FPGA_SCLK
IOB_108_SS_B	P13	FPGA_nCS
CDONE	M10	FPGA_CDONE
CRESET_B	L10	FPGA_CRESET

ICE40HX8K-CB132



**UID**

<b>BANK 3</b>		
IOL_2B	C1	SENSOR_B13
IOL_2A	B1	SENSOR_A13
IOL_4B	D3	SENSOR_A15
IOL_4A	C3	SENSOR_B11
IOL_5B	E1	SENSOR_B17
IOL_5A	D1	SENSOR_B15
IOL_8B	E4	SENSOR_A14
IOL_8A	D4	SENSOR_B8
IOL_9A	F3	SENSOR_A17
IOL_10B	F4	SENSOR_B14
IOL_10A	G4	SENSOR_A16
IOL_12B	H4	SENSOR_B16
IOL_12A	J1	SENSOR_B19
IOL_12A	J3	SENSOR_A19
IOL_13B_GBIN7	G1	SENSOR_A18
IOL_13A	G3	SENSOR_B18
IOL_14A_GBIN6	H1	<del>FPGA_nRST</del>
IOL_18B	K4	SENSOR_A24
IOL_18A	K3	SENSOR_B20
IOL_23B	M1	SENSOR_A21
IOL_23A	L1	SENSOR_A20
IOL_25B	P1	SENSOR_B22
IOL_25A	N1	SENSOR_A22

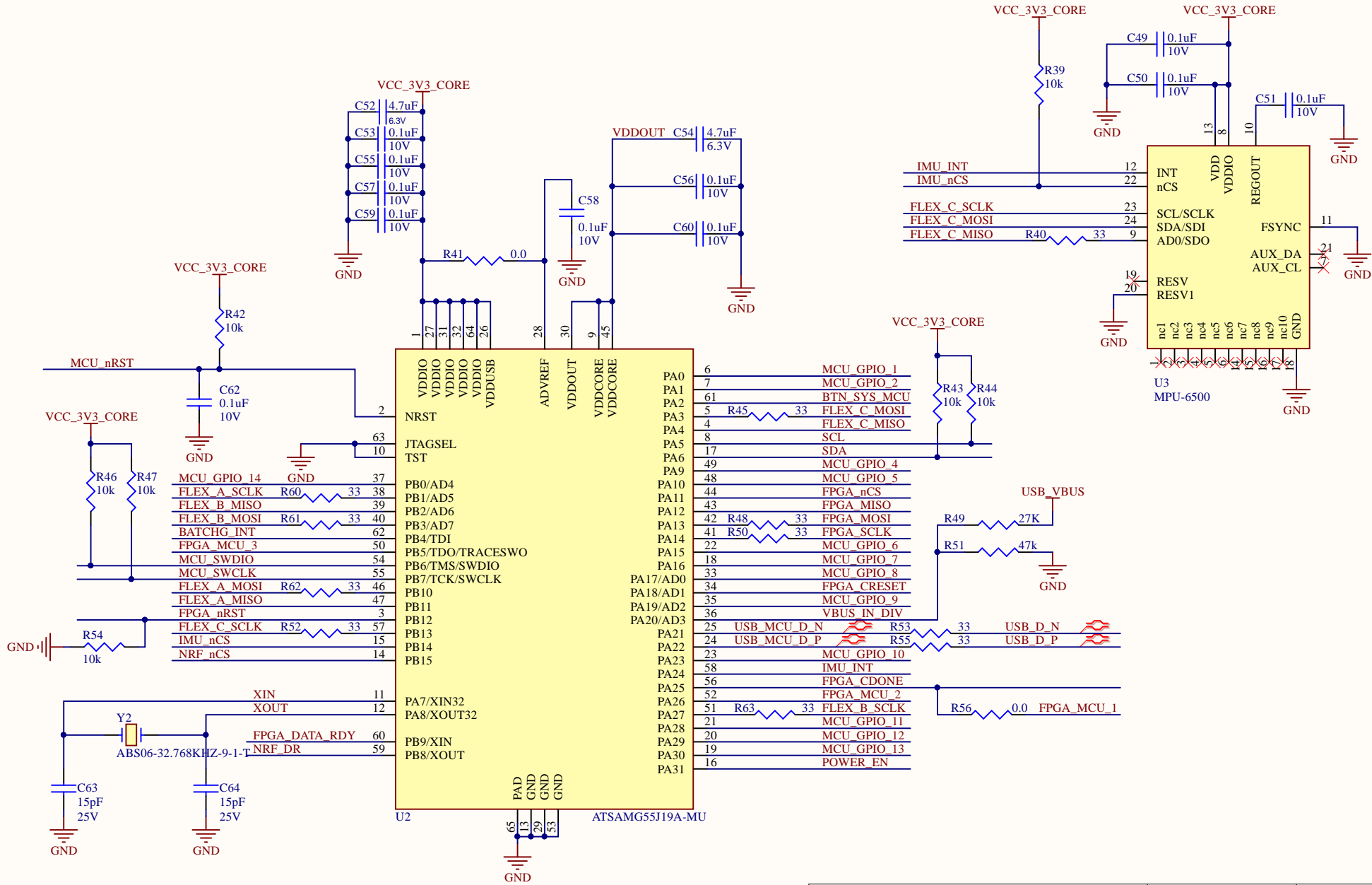
ICE40HX8K-CB132

Title **Shōtō Schematic - FPGA**

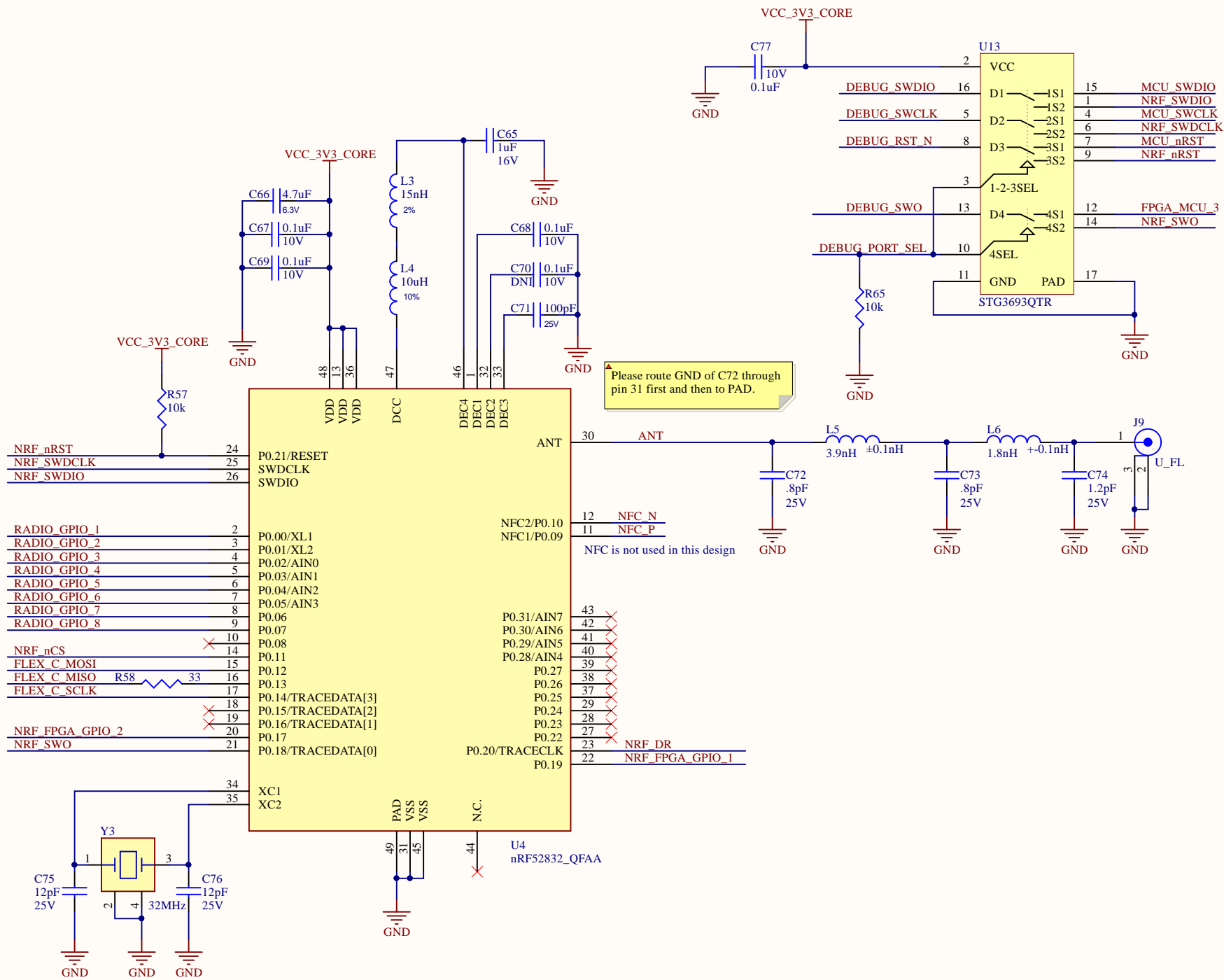
Size: A4 Number: Revision:2  
 Date: 8/21/2018 Sheet 4 of 6  
 Engineer: Luke Beno

Triad Semiconductor  
 340 N Broadway Suite 200  
 Green Bay, WI 54303  
 United States





Title <b>Shōtō Schematic - Microcontroller</b>			Triad Semiconductor 340 N Broadway Suite 200 Green Bay, WI 54303 United States	
Size: A4	Number:	Revision: 2		
Date: 8/21/2018	Sheet 5 of 6			
Engineer: Luke Beno				



Title **Shōtō Schematic - Radio**

Size: A4

Number:

Revision: 2

Date: 8/21/2018

Sheet 6 of 6

Engineer: Luke Beno

Triad Semiconductor  
340 N Broadway Suite 200  
Green Bay, WI 54303  
United States

